

# VARIABLE SPEED HIGH PERFORMANCE PUMP

## Applications:

Recycling and filtering of water for medium and commercial swimming pools.



# VSF-CP-1100S2

Frequency adjustable speed pump.

### Function:

1. The 100% full speed key button, 80% speed keys button, 50% speed keys button, start and stop button, up key and down key on the pump operation panel. 4 digital displays setting speed, setting 100%/80%/50% speed by up key and down key. Speed range from 30%~100% could be adjusted at pleasure, pressing up key and down key is 1% increase and decrease.

2. Starting at any one gear, the motor all being 100% full speed operating about 3 minutes, the power LED is red, besides ON/OFF button, other buttons is invalid; after 3 minutes, the power LED changed from red to green means motor can be arbitrary shifting gear.

### Installation way:

direct connection type and split type

Rating power: 1.1kw/1.5HP

### Current:

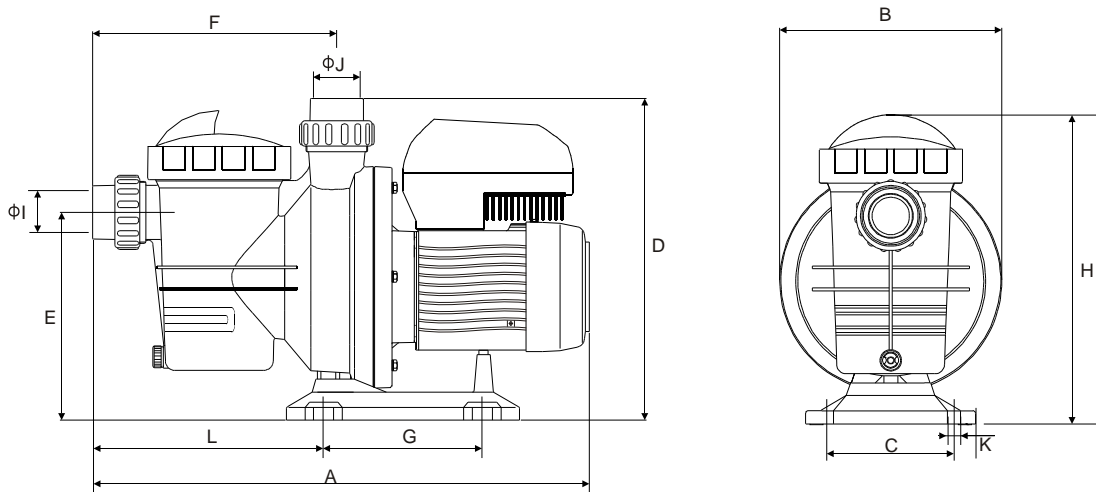
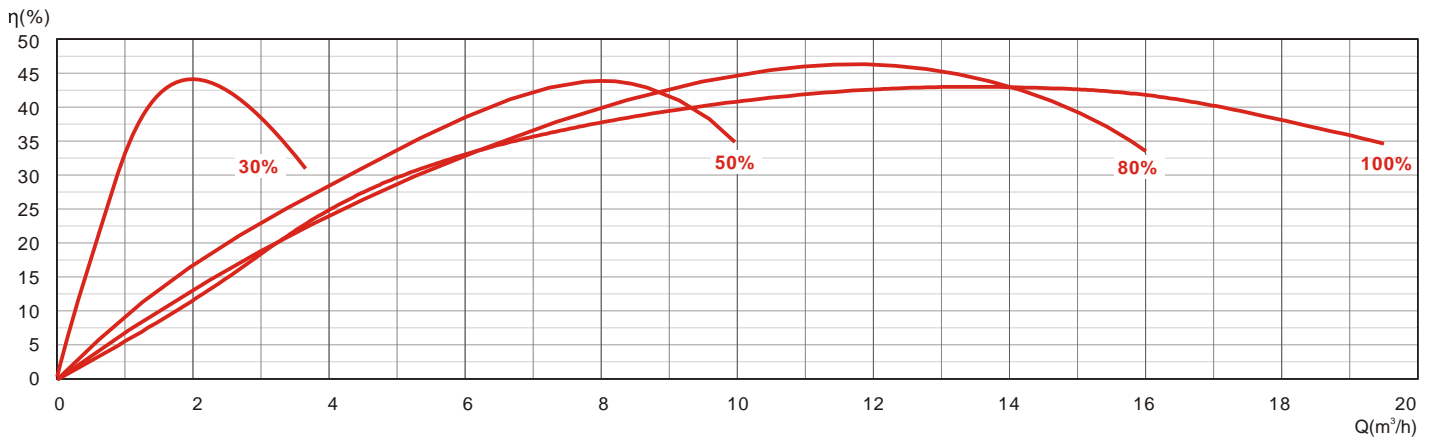
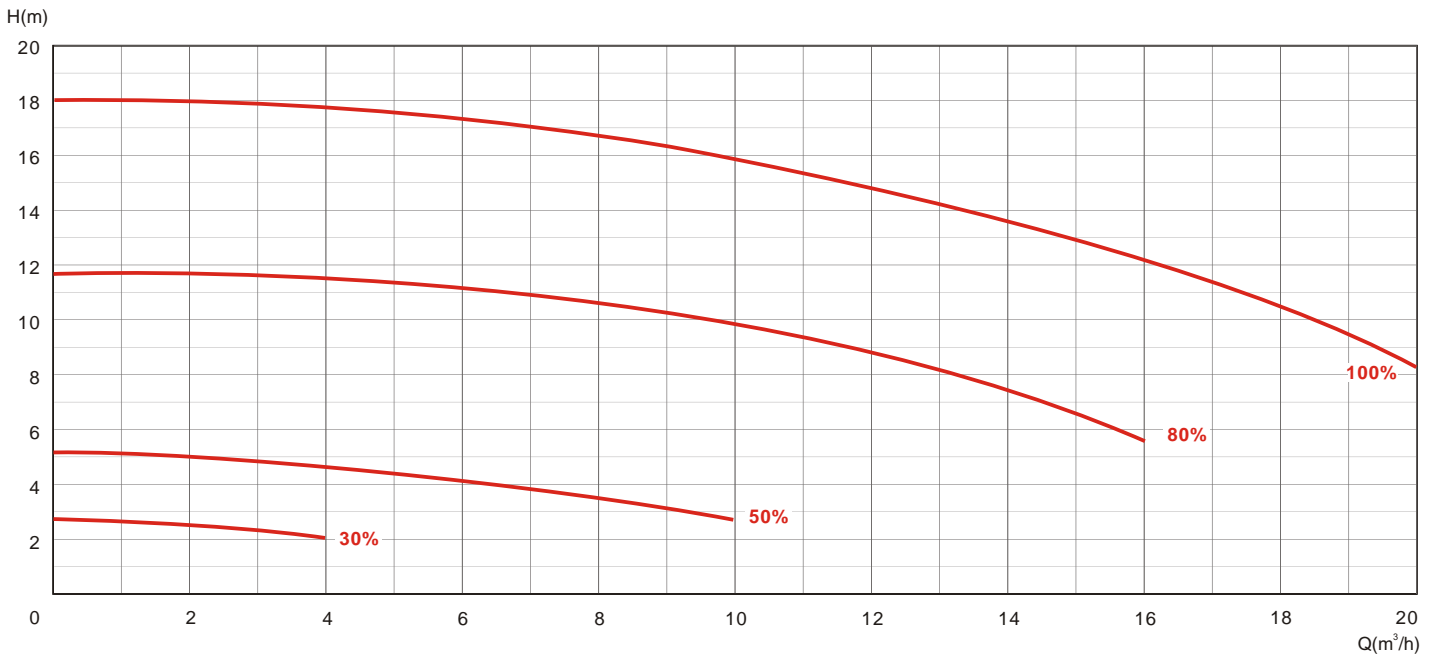
1. input voltage/frequency: single- phase 208~240V/50/60Hz
2. single- phase 108~120V/50/60Hz

### Fitted motor:

1. three-phase asynchronous motor;
2. Rating power is 1.1kw
3. Voltage is 220V/60Hz

## TECHNICAL DATA

Model	HP	kW	POWER SUPPLY	SPEED	RPM	POWER CONSUMPTION MAX
VSF-CP-1100S2	1.5	1.1	208-240V/50/60Hz (108-120V/50/60Hz)	100%	3350-3500	800-1600W
				80%	2700-2850	450-750W
				50%	1700-1800	150-250W
				30%	1000-1100	60-80W



DIMENSION

	A	B	C	D	E	F	G	H	L	I	J	K
VSFCP-1100S <sub>2</sub>	570	238	160	345	225	262	170	330	245	φ50(φ48)	φ50(φ48)	4-φ10